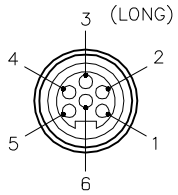


MALE END VIEW

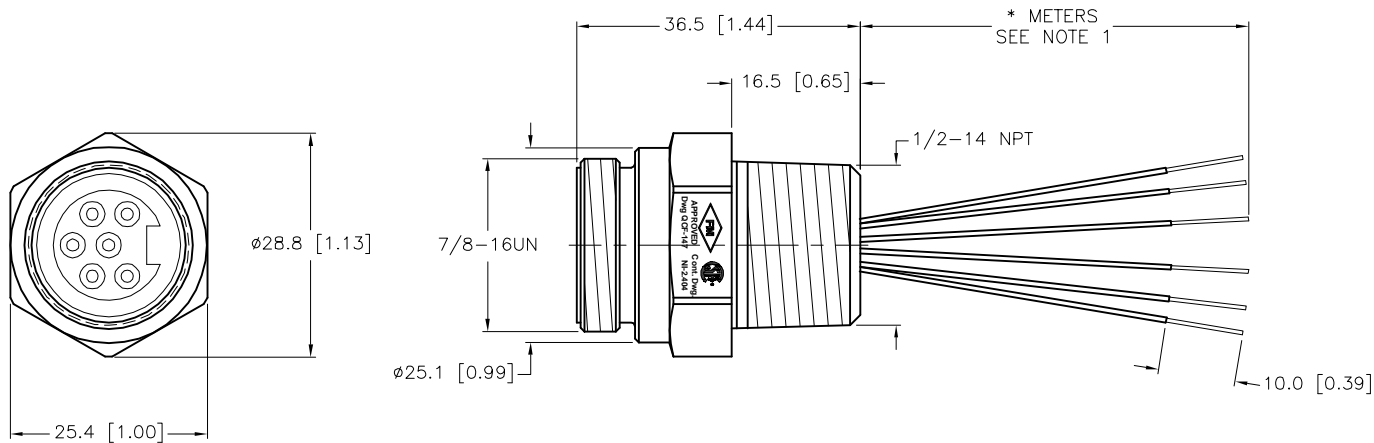


- 1 = BLUE
- 2 = BROWN
- 3 = GN/YE
- 4 = WHITE
- 5 = BLACK
- 6 = GREY



SPECIFICATIONS

| | |
|-------------------------------|---|
| CONTACT CARRIER MATERIAL | TPU |
| CONTACT MATERIAL/PLATING | BRASS/GOLD |
| HOUSING MATERIAL/FINISH | STAINLESS STEEL/PASSIVATED |
| RATED CURRENT [A] | 8.0 A |
| RATED VOLTAGE [V] | 600 V |
| CONDUCTOR INSULATION MATERIAL | PVC |
| NUMBERS OF CONDUCTORS [AWG] | 6x16 AWG |
| TEMPERATURE RATING | -55°C to +105°C (-67°F to +221°F) |
| PROTECTION CLASS | NEMA 1,3,4,4X,6P,12 & IECIP67,IP68,IP69,IP69K |



| CABLE LENGTH | TOLERANCE* |
|--------------|---|
| ALL LENGTHS | + 4% (OR 50mm) OF LENGTH - 0% (OR 0mm) OF LENGTH WHICHEVER IS GREATER |
| STRIP LENGTH | TOLERANCE* |
| 0-7mm | ±0.5mm |
| 8-29mm | ±1.0mm |
| 30-49mm | ±2.0mm |
| 50-69mm | ±3.0mm |
| 70-100mm | ±4.0mm |
| OVER 100mm | ±5.0mm |

* UNLESS OTHERWISE SPECIFIED

SOURCE DRAWING - FOR REFERENCE ONLY

NOTES:

1. "*" INDICATES LEAD LENGTH IN METERS. CONTACT TURCK TO ORDER SPECIFIC LENGTHS.

| | | | | | |
|---|---|--|---------------|--|--|
| RELATED DOCUMENTS 1. 2. 3. 4. | 3RD ANGLE PROJECTION | THIS DRAWING IS CONFIDENTIAL AND THE PROPERTY OF TURCK INC. USE OF THIS DOCUMENT WITHOUT WRITTEN PERMISSION IS PROHIBITED. | | 3000 CAMPUS DRIVE MINNEAPOLIS, MN 55441 1-800-544-7769 (763) 553-7300 (763) 553-0708 fax www.turck.us | |
| | | DRFT DD | DATE 03/11/05 | DESCRIPTION P-RSFV 60D EX-*/14.5/NPT | |
| MATERIAL SEE SPECIFICATIONS | ALL DIMENSIONS DISPLAYED ON THIS DRAWING ARE FOR REFERENCE ONLY | APVD | SCALE 1=1.0 | IDENTIFICATION NO. | |
| FINISH SEE SPECIFICATIONS | | UNIT OF MEASUREMENT MILLIMETER [INCH] | | REV | |
| DO NOT SCALE THIS DRAWING | | FILE: 777005474 | | SHEET 1 OF 1 | |

| | | | | |
|-----|-------------------------|-----|----------|---------|
| I | UPDATE PROTECTION CLASS | CBM | 04/13/21 | 76628 |
| REV | DESCRIPTION | BY | DATE | ECO NO. |