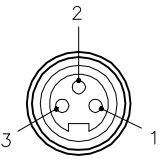


FEMALE END VIEW

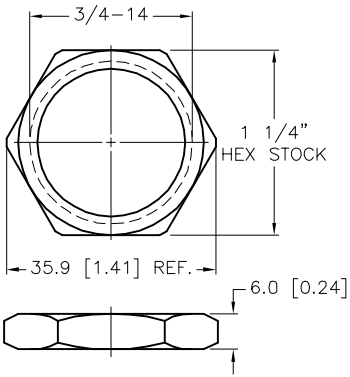
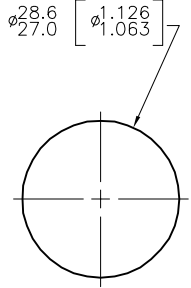
PANEL CUTOUT

LOCKNUT

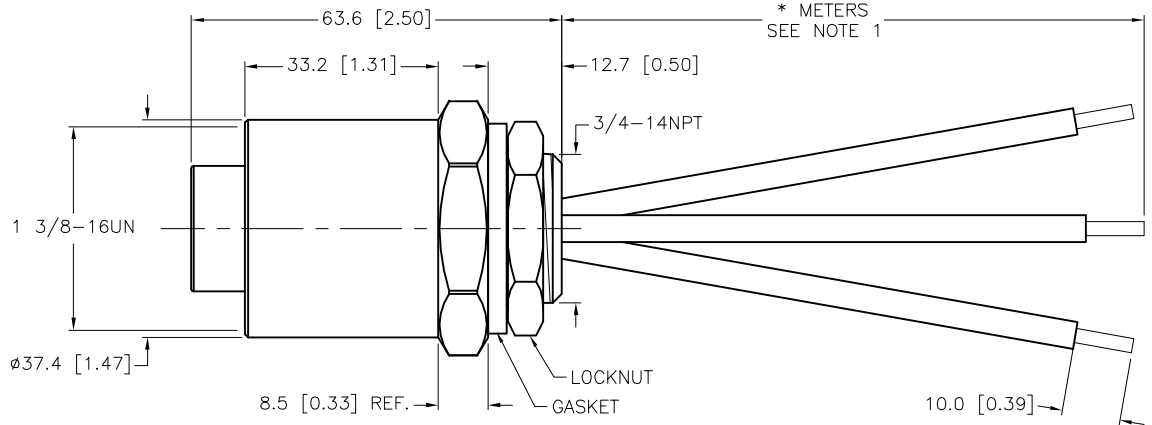
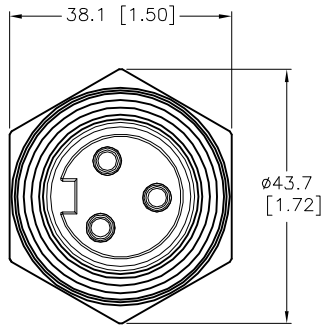
SPECIFICATIONS



1 = BLACK
2 = GREEN/YELLOW
3 = WHITE



CONTACT CARRIER MATERIAL	PVC
CONTACT MATERIAL/PLATING	BRASS or COPPER/GOLD
HOUSING MATERIAL/FINISH	STAINLESS STEEL/PASSIVATED
GASKET MATERIAL	NITRILE (BUNA-N)
RATED CURRENT [A]	27.0 A
RATED VOLTAGE [V]	600 VAC
CONDUCTOR INSULATION MATERIAL	PVC
NUMBERS OF CONDUCTORS [AWG]	3x14 AWG
TEMPERATURE RATING	-40°C to +105°C (-40°F to +221°F)
PROTECTION CLASS	MEETS NEMA 1,3,4,6P AND IEC IP67, IP68, IP69K
MAXIMUM PANEL THICKNESS	6.0mm [.236]
APPROVALS AND CERTIFICATIONS	UL 2237, CE



CABLE LENGTH	TOLERANCE*
ALL LENGTHS	+ 4% (OR 50mm) OF LENGTH - 0% (OR 0mm) OF LENGTH WHICHEVER IS GREATER
STRIP LENGTH	TOLERANCE*
0-7mm	±0.5mm
8-29mm	±1.0mm
30-49mm	±2.0mm
50-69mm	±3.0mm
70-100mm	±4.0mm
OVER 100mm	±5.0mm

* UNLESS OTHERWISE SPECIFIED

CAUTION:
RISK OF ELECTRICAL SHOCK
DO NOT DISCONNECT UNDER LOAD

SOURCE DRAWING - FOR REFERENCE ONLY

NOTES:

1. "*" INDICATES LEAD LENGTH IN METERS. CONTACT TURCK TO ORDER SPECIFIC LENGTHS.

RELATED DOCUMENTS		3RD ANGLE PROJECTION		THIS DRAWING IS CONFIDENTIAL AND THE PROPERTY OF TURCK INC. USE OF THIS DOCUMENT WITHOUT WRITTEN PERMISSION IS PROHIBITED.		3000 CAMPUS DRIVE MINNEAPOLIS, MN 55441 1-800-544-7769 (763) 553-7300 (763) 553-0708 fax www.turck.us	
1.		ALL DIMENSIONS DISPLAYED ON THIS DRAWING ARE FOR REFERENCE ONLY	DRFT	RDS	DATE	DESCRIPTION GKDFV 34-*M/14.75/NPT	
2.				APVD	02/04/09		
3.		CONTACT TURCK FOR MORE INFORMATION	UNIT OF MEASUREMENT		IDENTIFICATION NO.		REV
4.			MILLIMETER [INCH]				
MATERIAL		SEE SPECIFICATIONS		SCALE 1=1.3			
FINISH		SEE SPECIFICATIONS		DO NOT SCALE THIS DRAWING		FILE: 777020533	



I	UPDATE RATED CURRENT	NF	04/24/19	69362
REV	DESCRIPTION	BY	DATE	ECO NO.