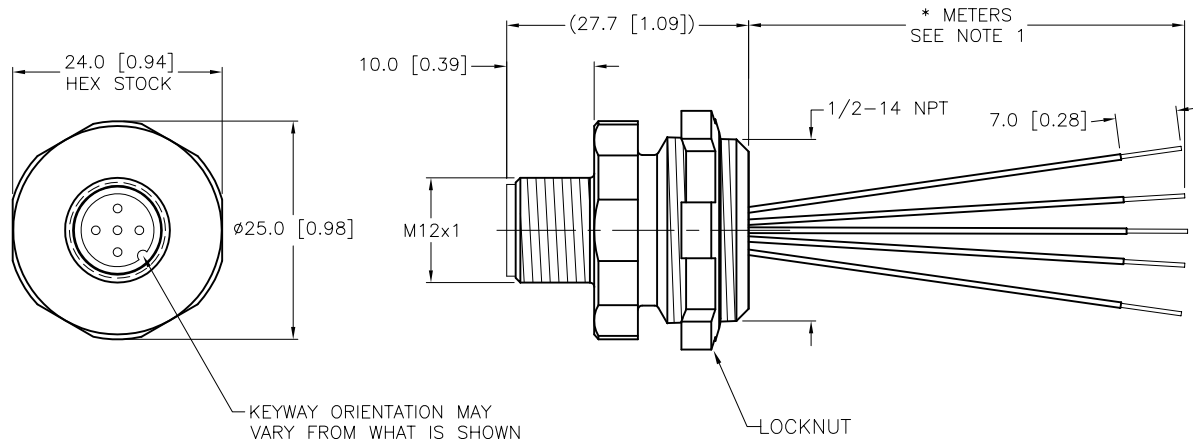


SPECIFICATIONS	
CONTACT CARRIER MATERIAL	NYLON OR TPU
CONTACT MATERIAL/PLATING	BRASS/GOLD
HOUSING MATERIAL/PLATING	BRASS/NICKEL
RATED CURRENT [A]	4.0 A
RATED VOLTAGE [V]	250 V
CONDUCTOR INSULATION MATERIAL	PVC
NUMBER OF CONDUCTORS [AWG]	5x22 AWG
TEMPERATURE RATING	-40°C to +80°C (-40°F to +176°F)
PROTECTION CLASS	MEETS NEMA 1,3,4,6P AND IEC IP68



CABLE LENGTH	TOLERANCE
ALL LENGTHS	+ 4% (OR 50mm) OF LENGTH - 0% (OR 0mm) OF LENGTH WHICHEVER IS GREATER
STRIP LENGTH	TOLERANCE
0-7mm	±0.5mm
8-29mm	±1.0mm
30-49mm	±2.0mm
50-69mm	±3.0mm
70-100mm	±4.0mm
OVER 100mm	±5.0mm

**NOTES:**

- "\*" DESIGNATES LEAD LENGTH IN METERS. CONTACT TURCK TO ORDER SPECIFIC LENGTHS.
- "W/LN" DESIGNATES LOCKNUT INCLUDED IN PACKAGE.

**SOURCE DRAWING - FOR REFERENCE ONLY**

<b>RELATED DOCUMENTS</b> 1. 2. 3. 4.	<b>3RD ANGLE PROJECTION</b> 	THIS DRAWING IS CONFIDENTIAL AND THE PROPERTY OF TURCK INC. USE OF THIS DOCUMENT WITHOUT WRITTEN PERMISSION IS PROHIBITED.		<b>TURCK INC</b> <i>High Technology Sensors and Automation Controls</i>		3000 CAMPUS DRIVE MINNEAPOLIS, MN 55441 1-800-544-7769 (763) 553-7300 (763) 553-0708 fax turck.com	
		<b>MATERIAL</b> SEE SPECIFICATIONS	<b>FINISH</b> SEE SPECIFICATIONS	DRFT RDS APVD T.S.	DATE 03/06/12 SCALE 1=.9	DESCRIPTION FS 4.5-*/14.5/NPT W/LN	
		UNIT OF MEASUREMENT <b>MILLIMETER [ INCH ]</b>		REV A		DO NOT SCALE THIS DRAWING	
		CONTACT TURCK FOR MORE INFORMATION		FILE: 777028748		SHEET 1 OF 1	

A	DRAWING RELEASE	RDS	03/13/12	
REV	DESCRIPTION	BY	DATE	ECO NO.