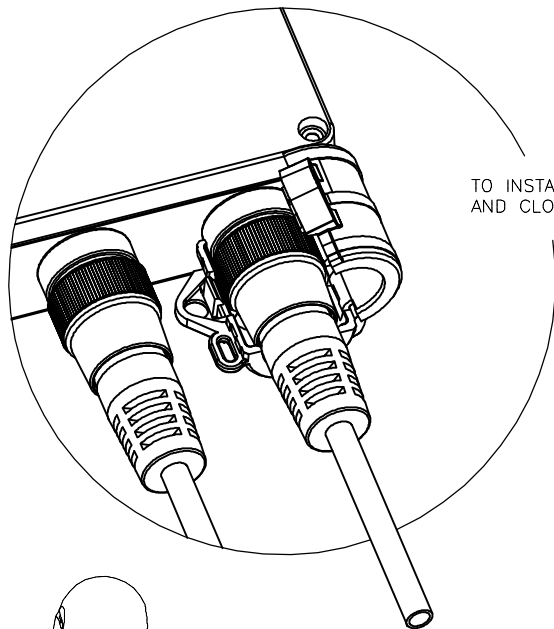


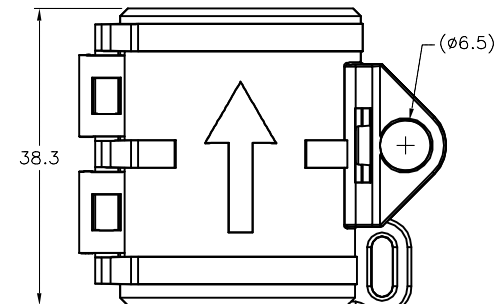
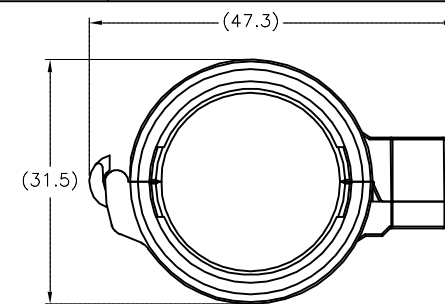
SPECIFICATIONS

HOUSING MATERIAL/COLOR

NYLON 66/BLACK

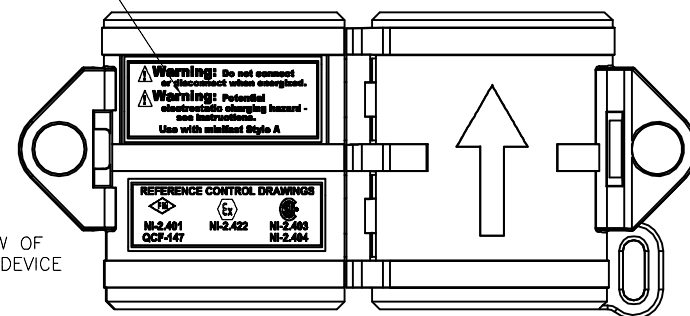


TO INSTALL LOCKOUT DEVICE, PLACE AROUND CORDSET END AND CLOSE UNTIL CONNECTOR SNAPS CLOSED.



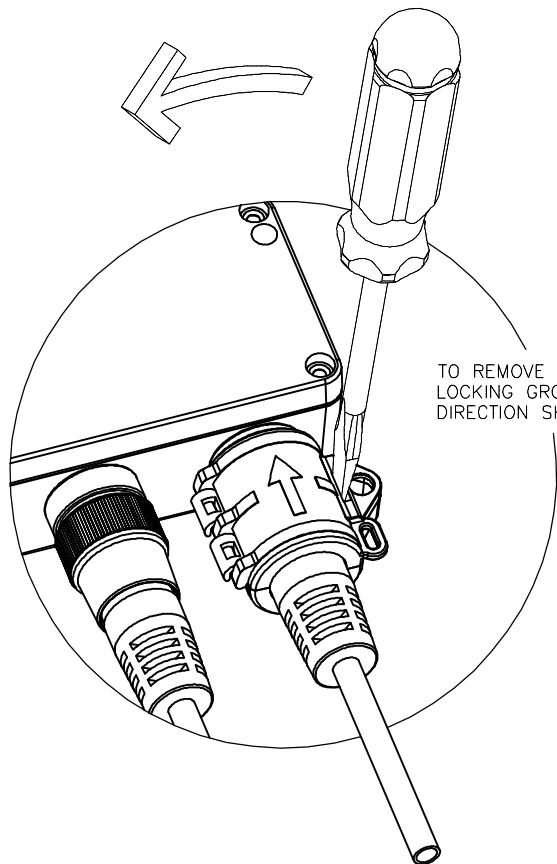
RECEPTACLE FOR OPTIONAL TETHER STRAP

CAUTION LABEL



OPEN VIEW OF LOCKOUT DEVICE

OPENED VIEW OF LOCKOUT DEVICE  
SOURCE DRAWING - FOR REFERENCE ONLY



TO REMOVE LOCKOUT DEVICE, INSERT SMALL SCREWDRIVER INTO LOCKING GROOVE AS SHOWN IN PICTURE. ROTATE SCREWDRIVER IN DIRECTION SHOWN UNTIL LOCKING DEVICE RELEASES.

LOCKOUT DEVICE FITS TURCK MOLDED MINIFAST A SIZED CORDSETS TO MINIFAST RECEPTACLES.

RELATED DOCUMENTS		3RD ANGLE PROJECTION		THIS DRAWING IS CONFIDENTIAL AND THE PROPERTY OF TURCK INC. USE OF THIS DOCUMENT WITHOUT WRITTEN PERMISSION IS PROHIBITED.		3000 CAMPUS DRIVE MINNEAPOLIS, MN 55441 1-800-544-7769 (763) 553-7300 (763) 553-0708 fax www.turck.us	
1. 2. 3. 4.				DRFT RDS DATE 12/29/04 APVD SCALE 1=1.0		DESCRIPTION LOCK-MINI	
MATERIAL		ALL DIMENSIONS DISPLAYED ON THIS DRAWING ARE FOR REFERENCE ONLY		UNIT OF MEASUREMENT		IDENTIFICATION NO.	
FINISH		CONTACT TURCK FOR MORE INFORMATION		MILLIMETERS		REV	
E UPDATE COMPONENTS		RDS 11/02/16 55161		DO NOT SCALE THIS DRAWING		A9105 E	
REV DESCRIPTION		BY DATE ECO NO.		FILE: A9105		SHEET 1 OF 1	