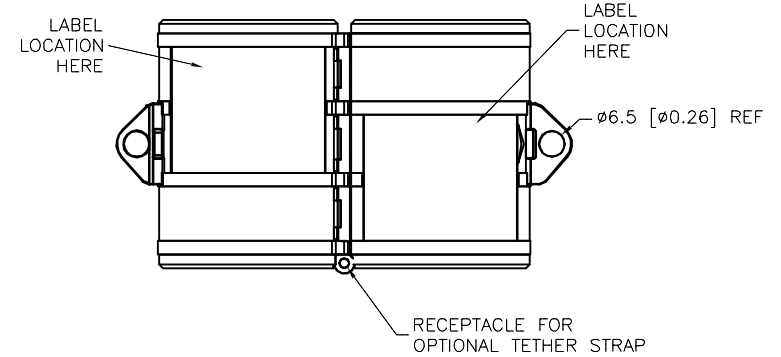


SPECIFICATIONS

HOUSING MATERIAL/COLOR

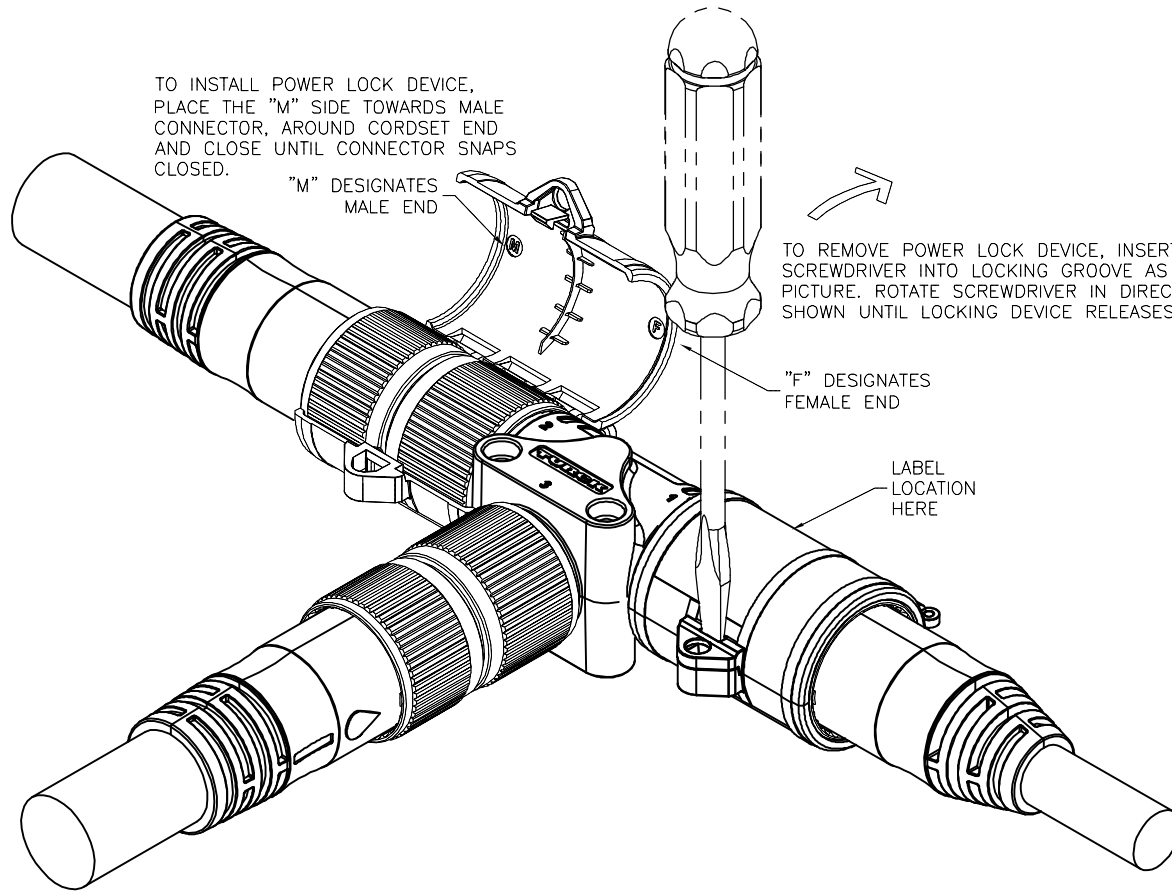
NYLON 66/ YELLOW

OPENED VIEW OF POWER LOCK DEVICE



TO INSTALL POWER LOCK DEVICE, PLACE THE "M" SIDE TOWARDS MALE CONNECTOR, AROUND CORDSET END AND CLOSE UNTIL CONNECTOR SNAPS CLOSED.

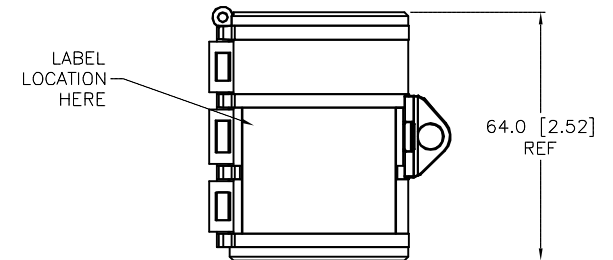
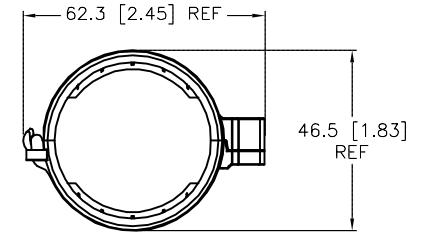
"M" DESIGNATES MALE END



TO REMOVE POWER LOCK DEVICE, INSERT SMALL SCREWDRIVER INTO LOCKING GROOVE AS SHOWN IN PICTURE. ROTATE SCREWDRIVER IN DIRECTION SHOWN UNTIL LOCKING DEVICE RELEASES.

"F" DESIGNATES FEMALE END

LABEL LOCATION HERE



SOURCE DRAWING - FOR REFERENCE ONLY

RELATED DOCUMENTS		3RD ANGLE PROJECTION		THIS DRAWING IS CONFIDENTIAL AND THE PROPERTY OF TURCK INC. USE OF THIS DOCUMENT WITHOUT WRITTEN PERMISSION IS PROHIBITED.		<p>3000 CAMPUS DRIVE MINNEAPOLIS, MN 55441 1-800-544-7769 (763) 553-7300 (763) 553-0708 fax www.turck.us</p>	
1.			ALL DIMENSIONS DISPLAYED ON THIS DRAWING ARE FOR REFERENCE ONLY	DRFT	RWC	DATE	11/07/08
2.				APVD		SCALE	1=2.0
3.		MATERIAL		UNIT OF MEASUREMENT		IDENTIFICATION NO.	
4.		SEE SPECIFICATIONS		MILLIMETER [INCH]		A9519	
FINISH		CONTACT TURCK FOR MORE INFORMATION		DO NOT SCALE THIS DRAWING		REV	
SEE SPECIFICATIONS						C	
C	CHANGE HOUSING COLOR FROM BLACK TO YELLOW	RDS	02/11/20	75649	FILE: A9519		SHEET 1 OF 1
REV	DESCRIPTION	BY	DATE	ECO NO.			